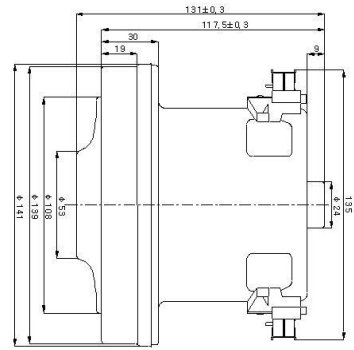
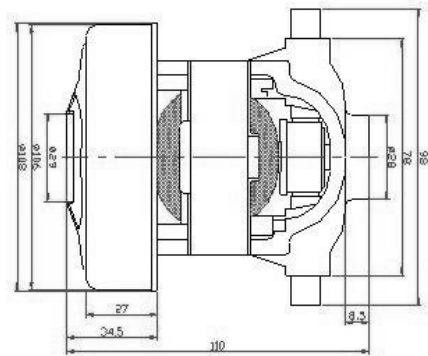


TW-141108 Vacuum Cleaner Motor

OUTPUT POWER:1000~2200 W (APPROX)



Specification	Model	TW-141		Tolerance Value
	Voltage(V)	220v 230v 240v	220v 230v 240v	/
	Frequency(Hz)	50/60	50/60	/
	Input (W)	2000	2200	±10%
	Max Vacuum Degree(KPa)	28	30	-5%
	Max Air Quantity(m3/min)	3.3	3.5	-8%
	Temp.Rise(K)	<85	<85	/
	Noisy(dB)	96	98	/
	Sparkle Grade	<2 Level	<2 Level	/
	Insulation Grade	B	B	/
Max Eff.(%)	36	36	-10%	



Specification	Model	TW-108	TW-108	Tolerance Value
	Voltage(V)	100 110 120 220 230 240	100 110 120 220 230 240	/
	Frequency(Hz)	50/60	50/60	/
	Input (W)	1000	1200	±10%
	Max Vacuum	22	23.5	-5%
	Max Air	2.35	2.6	-8%
	Temp.Rise(K)	<85	<85	/
	Noisy(dB)	97	99	/
	Sparkle Grade	<2 Level	<2Level	/
	Insulation Grade	B	B	/
Max Eff.(%)	35	35	-10%	